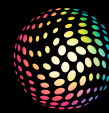


HF-Sensor



TRILUX
NEW LIGHT.

HF-Sensor

Integrated light control for diffuser luminaires

System features

The simple lighting management system enables presence-dependent control and daylight-dependent deactivation when a settable threshold value is exceeded. The HF sensor is available on request as an integral solution in many TRILUX diffuser luminaires. The system is used primarily in areas such as corridors, stairways and sanitary areas for energy saving purposes.

The HF sensor luminaire features an integral high frequency motion detector for detection of movement. This means the sensor sends out active high frequency electromagnetic waves (5.8 GHz) and responds to modifications of these waves reflected back from people or objects. The transmission capacity of the sensor is less than 1mW and as such is approx. 1000 times less than the transmission capacity of a mobile phone (GSM).

Advantages

- Energy savings from switching via presence detection
- Switch-off delay can be selected (10 to 300 seconds)
- Additional savings via automatic switching off with sufficient brightness (threshold switch)
- Threshold value adjustable from 5 lx to 1000 lx
- Adjustable sensitivity of sensor from 20 % to 100 %
- Simple installation
- Only switchable (non-dimmable) luminaires required



System luminaires

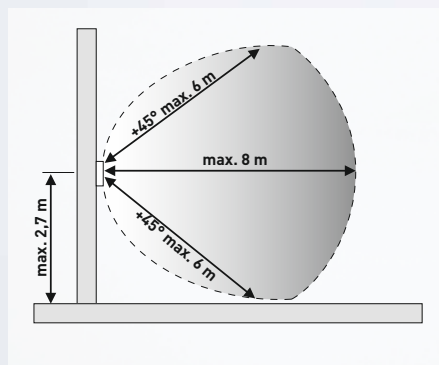
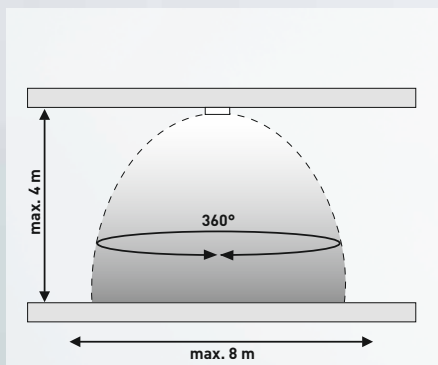
Sensor luminaires with integral HF sensor can be implemented on request in many TRILUX diffuser luminaires (luminaire designation: ...+HFS'). These are wired ready for connection. All required electrical connections are available at easily accessible luminaire terminals. System settings with HF sensor luminaires are carried out directly at the integral sensor.

- Sensor luminaires (...+HFS') with integral HF sensor
- All system settings implemented at the sensor
- Simple installation with minimal wiring requirements
- Switching of up to two luminaires
- A power contactor can be subsequently activated for increased switching capacity
- Frequency band 5.8 GHz
- Detection angle approx. 120°
- Standby power consumption < 1 W
- Radiated power < 1 mW

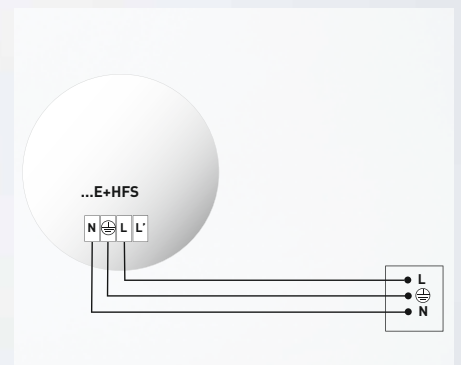
Factory setting

- Sensitivity/range 100 %
- Switch-off delay: 2 seconds
- Threshold value: 1000 lx

Detection range of sensor luminaire



Electrical connection



Designation	TOC	Lamps	≈kg
Deca WD2 2TCL18 E+HFS	60 210 04	2 x TC-L18	2.1
Deca WD3 3TCL24 E+HFS	60 211 04	3 x TC-L24	4.5
7402N/TC18 E+HFS	60 208 04	2 x TC-L18	2.2
7403N/2xTCF36 E+HFS	60 209 04	2 x TC-F36	3.7

Contacts

TRILUX GmbH & Co. KG

Heidestraße · D-59759 Arnsberg
Postfach 19 60 · D-59753 Arnsberg
Tel. +49 (0) 29 32.3 01-0
Fax +49 (0) 29 32.3 01-3 75
sales@trilux.com · www.trilux.com

PROLJUS AB

Kyrkogatan 18
570 03 VRIGSTAD
Tel. +46 (0) 70 601 05 63
info@proljus.se - www.proljus.se

