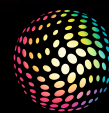




EnOcean radio dimming



TRILUX
NEW LIGHT.

EnOcean radio dimming

Manual control



System features

The EnOcean radio system enables the manual control of Touch-Dim capable luminaires via a radio transmitter, and is offered on request as an integral solution in many TRILUX master luminaires.

EnOcean is a battery-free radio technology that converts locally available ambient energy into electrical energy (energy harvesting). In this way, kinetic energy from pressing a switch for example, is converted to electrodynamic energy. The converted energy is used to send a short radio signal to a special reception unit. The radio system consists of two channels that can be operated independently via special radio transmitters. The transmitters in the radio receiver of the luminaire must be programmed for this purpose.

Advantages

- Energy savings via manual control of the lighting
- Independent control of two luminaire groups
- Individual setting of lighting level
- Intuitive operation
- Parallel operation of several radio transmitters is possible
- Simple installation

Functional range

- Free field: approx. 300 m
- Halls: approx. 100 m
- Corridors and hallways: approx. 50 m

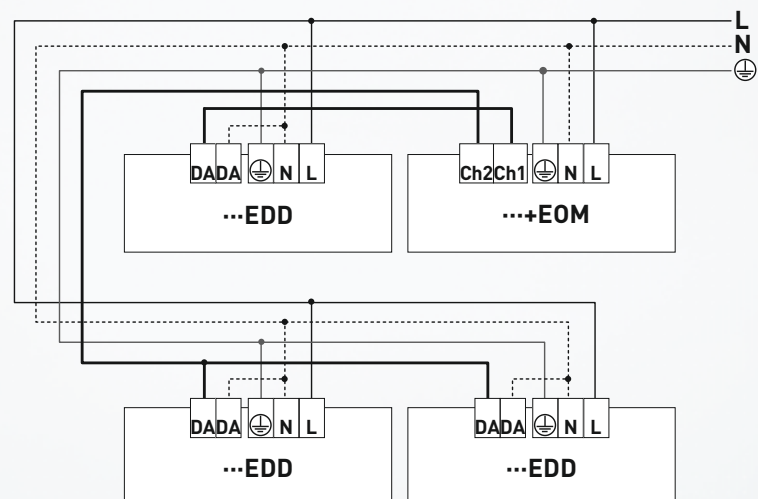


System luminaires

Master luminaires with integral EnOcean radio receivers can be supplied on request in many TRILUX luminaire series (luminaire designation: '...+EOM'). These are wired ready for connection. All necessary electrical connections are available at easily accessible luminaire terminals.

- Master luminaire ('...+EOM') with integral EnOcean radio receiver
- Manual operation via wall transmitter or hand transmitter (max. 30 transmitters per radio receiver)
- Programming of transmitter implemented on radio receiver
- Simple installation with minimal wiring requirements
- Connection terminals for two luminaire groups
- Control of up to 15 Touch Dim luminaires per group (incl. master luminaire)
- Standby power consumption < 1.5 W
- Frequency band 868.3 MHz

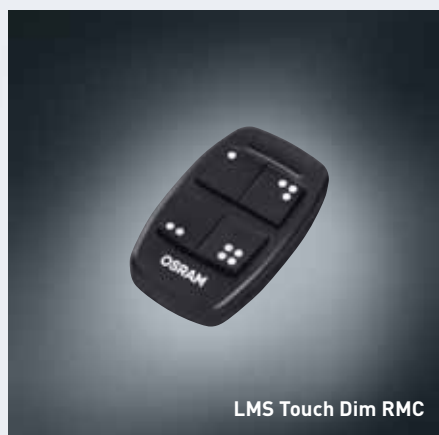
Electrical connection



Please request Touch Dim-compatible DALI luminaires for control via an EnOcean master luminaire ('...+EOM') separately.



Touch Dim WCU radio wall transmitter
 Switching and dimming of lighting connected to channel 1 of the radio receiver Transmission capacity 10 mW Switching cycles > 50,000



Touch Dim RMC radio hand transmitter
 Switching and dimming of lighting connected to channel 1 and 2 of the radio receiver Transmission capacity 10 mW Switching cycles > 50,000

Designation	TOC	Description
5051 RPX-L/35/49/80 EDD+EOM	60 031 07	5051 master luminaire with EnOcean radio receiver
Luceo H UXP-H 135/49/80 EDD+EOM 03	60 030 07	Luceo master luminaire with EnOcean radio receiver
LMS Touch Dim RMC	60 120 00	Radio hand transmitter
LMS Touch Dim WCU	60 121 00	Radio wall transmitter

Contacts

TRILUX GmbH & Co. KG

Heidestraße · D-59759 Arnsberg
Postfach 19 60 · D-59753 Arnsberg
Tel. +49 (0) 29 32.3 01-0
Fax +49 (0) 29 32.3 01-3 75
sales@trilux.com · www.trilux.com

PROLJUS AB

Kyrkogatan 18
570 03 VRIGSTAD
Tel. +46 (0) 70 601 05 63
info@proljus.se - www.proljus.se