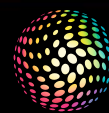




LIGHTGATEbasic



TRILUX
NEW LIGHT.

LIGHTGATEbasic

Lighting management for luminaire groups with daylight-dependent control and presence detection

System features

LIGHTGATEbasic is the basic version of the LIGHTGATE family systems. The lighting management system is suitable for installing in luminaires and has been designed for use at workstations or in small rooms. The system combines automatic presence detection with constant light control to achieve maximum energy savings. Both functions can be deactivated. Nominal values for constant light control, switch-off delay and operating mode (automatic / semi-automatic) can be set independently. The connected DALI luminaires can be operated in two groups via separate DALI connections. In rooms with differing daylight quantities (e.g. window at the end of the room), control with two separate light sensors (individual group control) is recommended, although offset control is also possible. As soon as both DALI groups are in standby operation, mains supply to the luminaires is switched off via the integral circuit-breaker in order to minimise standby losses. The luminaires can also be manually switched and dimmed via an installation button. Infrared system remote control is also available.

Advantages

- Energy savings via use of daylight
- Additional energy savings via presence detection
- Intuitive single-button operation (switching, dimming)
- Operation via system remote control
- Nominal value can be set individually
- Connection of maximum of two sensor units
- Individual control of groups of two
- Switch-off delay can be set (with remote control, 3 mins. to 30 mins. or deactivated)
- Fully automatic operation (switching off, switching on again)
- Semi-automatic operation (only switching off, manual switching on)
- Integral circuit-breaker (to 600 VA)
- Sensor unit with integrated receiver for IR system remote control
- Simple installation and commissioning

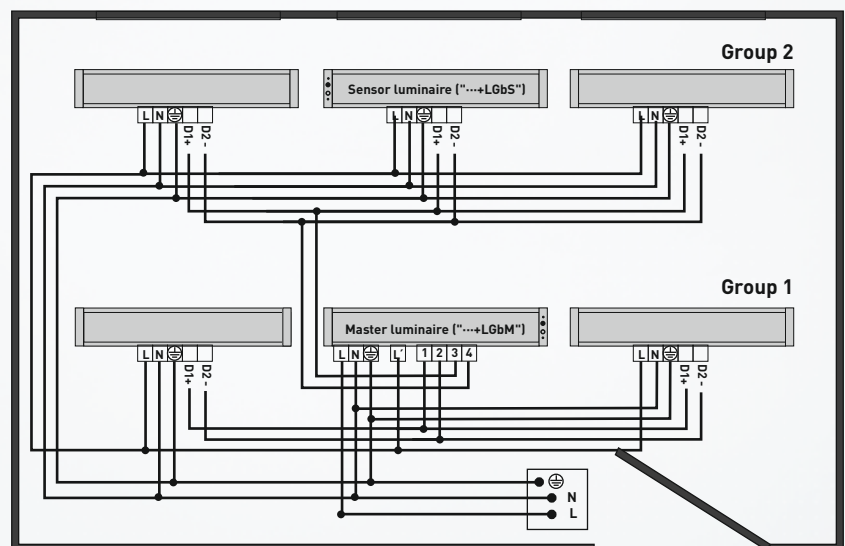


System luminaires

Master luminaires with integral LIGHTGATEbasic lighting management can be integrated into many TRILUX luminaire ranges (luminaire designation ,...+LGbM'). These are wired ready for connection. All required electrical connections are at easily accessible luminaire terminals (voltage supply, switched phase L, 2 x DALI, 1 push-button, 1 x RJ10 for external sensors). For expanding the detection range of presence detection, connection of an additional sensor unit in the form of a sensor luminaire (,...+LGbS') or as a sensor unit for ceiling recessing is possible.

- Master luminaire with integral sensor unit and control device (,...+LGbM')
- Sensor luminaire with integral sensor unit (,...+LGbS')
- Switching and dimming via push button (pushed phase) or remote control
- Control of up to 16 DALI luminaires possible (incl. master luminaire)
- Connection terminals for 2 DALI groups (single groups or offset control)
- Simple installation with minimal wiring requirement
- Avoidance of additional standby losses of connected luminaires via further wiring with switched phase L< (internal ECG also on switched phase)

Connection example with Lightgatebasic system luminaires



LIGHTGATEbasic

System components



LGC-EB01/L/D



LGS-IPL/M



LGR-SI

Control device

Controller LGC-EB01/L/D

- For installation in luminaire
- Control of up to 16 DALI ECGs possible
- Connection terminals for 2 DALI groups
- Connection terminals for one push button (pushed phase)
- Connection terminals for mains connection and further wiring of switched phase
- Integral circuit-breaker (600 VA), for avoidance of standby losses of controlled ballasts
- RJ10 connection for sensor unit LGS-IPL/M
- Height of housing: 21 mm

Sensor unit

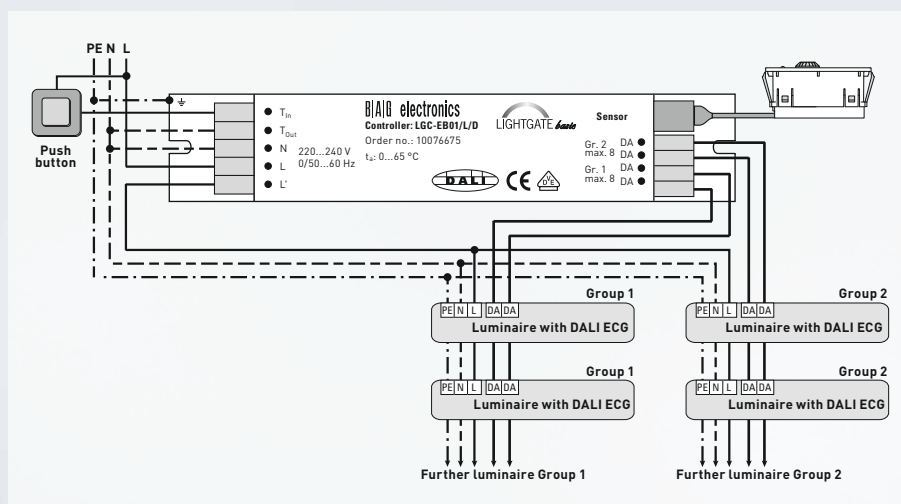
Sensor LGS-IPL/M

- Integral light sensor
- Integral presence sensor
- Integral IR receiver (passive infrared) for system remote control
- With RJ10 connection cable, 2 m

System remote control

LGR-SI

- Infrared remote control
- For complete operation and programming of all LIGHTGATEbasic system functions



Designation	TOC	Description
LGC-BS01/L/D	59 972 00	Controller
LGR-SI	59 974 00	Remote control
LGS-IPL/M	59 973 00	Sensor
LGM-RM/M	58 900 00	Ceiling recessing set for mini-sensor LGS-IPL/M

Contacts

TRILUX GmbH & Co. KG

Heidestraße · D-59759 Arnsberg
Postfach 19 60 · D-59753 Arnsberg
Tel. +49 (0) 29 32.3 01-0
Fax +49 (0) 29 32.3 01-3 75
sales@trilux.com · www.trilux.com

PROLJUS AB

Kyrkogatan 18
570 03 VRIGSTAD
Tel. +46 (0) 70 601 05 63
info@proljus.se - www.proljus.se