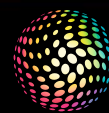




Combial



TRILUX
NEW LIGHT.



Combial

Maximum output for all situations.

The new Combial floodlight for lighting close to buildings enables wide design flexibility thanks to various light distribution characteristics and lamp types, with three housing sizes. Strong manufacturing quality and technology combined with die-cast aluminium and non-laminated safety glass ensure a permanent sense of value.

Timeless: Functional design for discreet use in private and public spaces.

Long-life: Robust manufacturing quality and technology ensure a permanent sense of value.

Flexible: The pivotable fixing bracket and various distribution patterns and lamp configurations offer wide flexibility.

Simple, rapid: Thanks to the fixing bracket the luminaire is mounted in next to no time.

Easy maintenance: Quick-release catches enable simple relamping.

Combial

Floodlight series for lighting close to buildings



Designation	TOC	Electrical version ...K...	Lamps	Socket	≈kg
Combial, symmetrical, medium-wide distribution (SM)					
Combial SM/1x70 HIT-DE...TW nw	60 247...	...02	1 x HIT-DE 70	RX7s	4.7
Combial SM/1x150 HIT-DE...TW nw	60 248...	...02	1 x HIT-DE 150	RX7s-24	5.2
Combial SM/1x70 HST-DE...TW ww	60 251...	...02	1 x HST-DE 70	RX7s	4.7
Combial SM/1x150 HST-DE...TW ww	60 252...	...02	1 x HST-DE 150	RX7s-24	5.2
Combial SM/1x250 HIT...TW nw	60 257...	...02	1 x HIT 250	E40	7.8
Combial SM/1x400 HIT...TW nw	60 258...	...02	1 x HIT 400	E40	12.0
Combial SM/1x250 HST...TW ww	60 261...	...02	1 x HST 250	E40	7.8
Combial SM/1x400 HST...TW ww	60 262...	...02	1 x HST 400	E40	12.0
Combial, asymmetrical distribution (AS)					
Combial AS/1x70 HIT-DE...TW nw	60 249...	...02	1 x HIT-DE 70	RX7s	4.7
Combial AS/1x150 HIT-DE...TW nw	60 250...	...02	1 x HIT-DE 150	RX7s-24	5.2
Combial AS/1x70 HST-DE...TW ww	60 253...	...02	1 x HST-DE 70	RX7s	4.7
Combial AS/1x150 HST-DE...TW ww	60 254...	...02	1 x HST-DE 150	RX7s-24	5.2
Combial AS/1x250 HIT...TW nw	60 255...	...02	1 x HIT 250	E40	7.8
Combial AS/1x400 HIT...TW nw	60 256...	...02	1 x HIT 400	E40	12.0
Combial AS/1x250 HST...TW ww	60 259...	...02	1 x HST 250	E40	7.8
Combial AS/1x400 HST...TW ww	60 260...	...02	1 x HST 400	E40	12.0

Floodlight housing of die-cast aluminium, colour black, similar to RAL 9005, pivotable, in 3 different housing sizes. Cover of non-laminated safety glass.

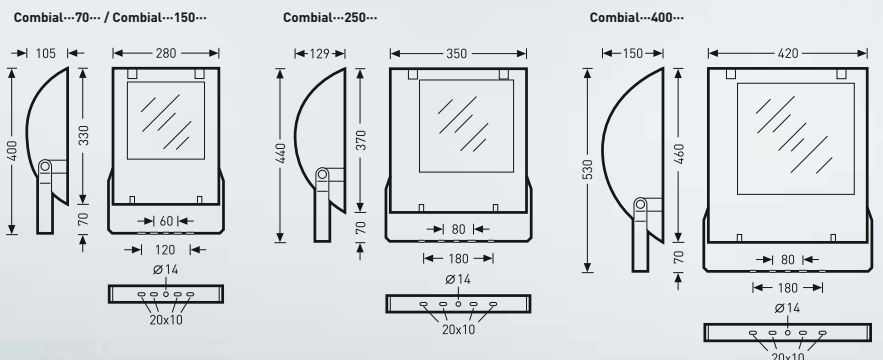
Optical systems of reflection-intensifying coated aluminium.
 ...AS... asymmetrical distribution.
 ...SM... symmetrical, medium-wide distribution.

Relamping via opening of cover with quick-release catches. Light colour warm white ...ww..., colour temperature 3000 K. Light colour neutral white ...nw... colour temperature 4000 K.

Electrical connection 3-pole terminal to 3 x 2.5 mm². With one M 20 cable entry for 9 - 12 mm cable diameters.

Electrical version
 ...K With inductive ballast, parallel-compensated. Lamps either HIT or HST with wattages 70 W, 150 W, 250 W or 400 W luminaires, all including lamps, ...TW...

Windage area F_w = 0.09 m²; 0.13 m²; 0.19 m² (according to construction form).



Contacts

TRILUX GmbH & Co. KG

Heidestraße · D-59759 Arnsberg
Postfach 19 60 · D-59753 Arnsberg
Tel. +49 (0) 29 32.3 01-0
Fax +49 (0) 29 32.3 01-3 75
sales@trilux.com · www.trilux.com

Försäljning i Sverige via:

PROLJUS AB

Kyrkogatan 18
570 03 VRIGSTAD
SWEDEN
Tel. +46 (0) 70 601 05 63
info@proljus.se - www.proljus.se