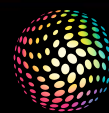




# 98...HIT... series



**TRILUX**  
NEW LIGHT.



**98...HIT... series**



### Symbiosis of design and function.

The decorative post-top luminaires of the 98 series for modern metal halide lamps unite classic design with state-of-the-art lamp technology. The five different versions have a single aim: to adorn towns with both elegance and efficiency.

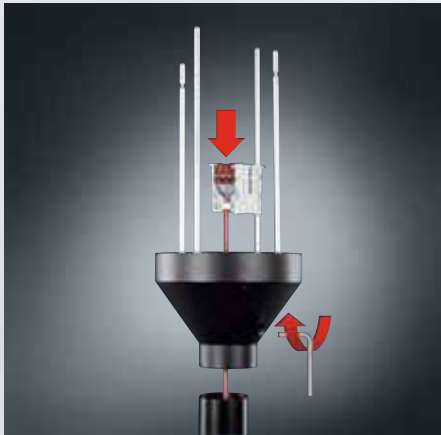
**Simple and timeless:** The post-top luminaire convinces with unadorned basic geometric forms and its self-confident, visible functionality.

**Safe light:** Homogeneous, glare-free lighting of the complete road means high levels of safety.

**Photometrically variable:** A range of variants are available for illumination of town squares and for the targeted lighting of roads.

**Efficient:** Rapid, simple mounting, a long service life and economic light sources mean reduced operating costs.

**A large selection:** The luminaire family offers diverse design possibilities with different versions in the same design language.



Rapid, simple luminaire mounting and trouble-free maintenance are decisive when it comes to minimising costs. Electrical connection is significantly simplified via the connection module with 3-pole plug connection and cable strain relief system.



The tried and tested closure technology of the 98 series prevents unauthorised access. The release bracket available as an accessory significantly simplifies opening the luminaire cover. The lock-in position decisively simplifies relamping: unlock luminaire, raise the luminaire cover to the lock-in position and replace lamps. Removing and putting aside the luminaire cover is no longer necessary.

# 98...HIT... series

## Decorative post-top luminaire



9811...



9821...

### Decorative luminaires for post-top mounting. Post spigot $\varnothing 76$ mm.

**Luminaire body** of die-cast aluminium, Colour deep black, similar to RAL 9005, powder-coated, highly weather resistant.

#### Luminaire top Lantern 9811...

Luminaire top of corrosion-resistant aluminium, external colour deep black, similar to RAL 9005, white inner, powder-coated, highly weather resistant.

#### Indirect luminaire 9821...

Luminaire top of corrosion-resistant aluminium, external colour deep black, similar to RAL 9005, white inner, powder-coated, highly weather resistant. Fixed by four outer aluminium rods.

#### Conical lantern 9831...

Luminaire top of corrosion-resistant aluminium, external colour deep black, similar to RAL 9005, white inner, powder-coated, highly weather resistant. With four outer decorative aluminium rods, black.

#### Classic luminaire 9851...

Luminaire top of corrosion-resistant aluminium, external colour deep black, similar to RAL 9005, white inner, powder-coated, highly weather resistant.

#### Classic conical lantern 9861...

Luminaire top of corrosion-resistant aluminium, external colour deep black, similar to RAL 9005, white inner, powder-coated, highly weather resistant.

**Cover** of highly impact-resistant PMMA, clear.

#### Optical system

Double-reflection system. Primary optic consists of rotationally symmetrical specular reflector.

...**IA**... Secondary optic of highly specular anodised aluminium with asymmetrical wide luminous intensity distribution.

...**IS**... Secondary optic of white coated aluminium, with rotationally symmetrical wide luminous intensity distribution.

**Electrical connection** via 3-pole plug connection in the connection module.

**Electrical block** with all electric components, can be replaced without tools.

#### Electrical version

...**E** With electronic ballast.

#### Windage area

9811...:  $F_w = 0.174 \text{ m}^2$ .

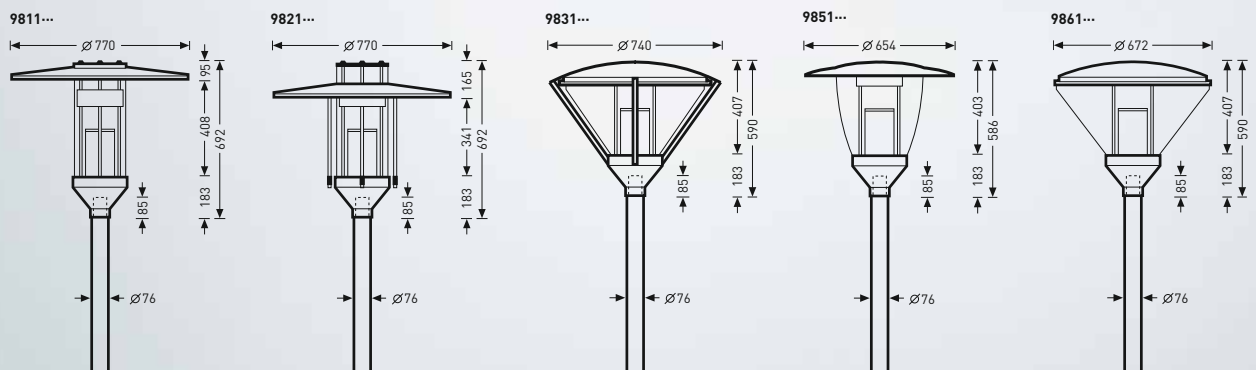
9821...:  $F_w = 0.195 \text{ m}^2$ .

9831...:  $F_w = 0.240 \text{ m}^2$ .

9851...:  $F_w = 0.170 \text{ m}^2$ .

9861...:  $F_w = 0.218 \text{ m}^2$ .

Further versions on request.







Designation	TOC	Electrical version ...E	Lamp	Socket	≈kg
Lanterns with asymmetrical (IA) or rotationally symmetrical (IS) light distribution.					
9811IA/35 HIT-CE...	59 985...	...04	1 x HIT-CE 35	G12	8.5
9811IA/70 HIT-CE...	59 986...	...04	1 x HIT-CE 70	G12	8.5
9811IA/45 HIT-OD...	59 987...	...04	1 x HIT-CE 45	PGZ12	9.3
9811IA/60 HIT-OD...	59 988...	...04	1 x HIT-CE 60	PGZ12	9.3
9811IS/35 HIT-CE...	59 989...	...04	1 x HIT-CE 35	G12	8.5
9811IS/70 HIT-CE...	59 990...	...04	1 x HIT-CE 70	G12	8.5
9811IS/45 HIT-OD...	59 991...	...04	1 x HIT-CE 45	PGZ12	9.3
9811IS/60 HIT-OD...	59 992...	...04	1 x HIT-CE 60	PGZ12	9.3
Indirect luminaires with asymmetrical (IA) or rotationally symmetrical (IS) light distribution					
9821IA/35 HIT-CE...	59 993...	...04	1 x HIT-CE 35	G12	9.0
9821IA/70 HIT-CE...	59 994...	...04	1 x HIT-CE 70	G12	9.0
9821IA/45 HIT-OD...	59 995...	...04	1 x HIT-CE 45	PGZ12	9.8
9821IA/60 HIT-OD...	59 996...	...04	1 x HIT-CE 60	PGZ12	9.8
9821IS/35 HIT-CE...	59 997...	...04	1 x HIT-CE 35	G12	9.0
9821IS/70 HIT-CE...	59 998...	...04	1 x HIT-CE 70	G12	9.0
9821IS/45 HIT-OD...	59 999...	...04	1 x HIT-CE 45	PGZ12	9.8
9821IS/60 HIT-OD...	60 000...	...04	1 x HIT-CE 60	PGZ12	9.8
Conical lanterns with asymmetrical (IA) or rotationally symmetrical (IS) light distribution					
9831IA/35 HIT-CE...	60 001...	...04	1 x HIT-CE 35	G12	7.3
9831IA/70 HIT-CE...	60 002...	...04	1 x HIT-CE 70	G12	7.3
9831IS/35 HIT-CE...	60 005...	...04	1 x HIT-CE 35	G12	7.3
9831IS/70 HIT-CE...	60 006...	...04	1 x HIT-CE 70	G12	7.3
Classic luminaires with asymmetrical (IA) or rotationally symmetrical (IS) light distribution					
9851IA/35 HIT-CE...	60 009...	...04	1 x HIT-CE 35	G12	6.2
9851IA/70 HIT-CE...	60 010...	...04	1 x HIT-CE 70	G12	6.2
9851IS/35 HIT-CE...	60 013...	...04	1 x HIT-CE 35	G12	6.2
9851IS/70 HIT-CE...	60 014...	...04	1 x HIT-CE 70	G12	6.2
Classic lanterns with asymmetrical (IA) or rotationally symmetrical (IS) light distribution					
9861IA/35 HIT-CE...	60 017...	...04	1 x HIT-CE 35	G12	6.8
9861IA/70 HIT-CE...	60 018...	...04	1 x HIT-CE 70	G12	6.8
9861IS/35 HIT-CE...	60 021...	...04	1 x HIT-CE 35	G12	6.8
9861IS/70 HIT-CE...	60 022...	...04	1 x HIT-CE 70	G12	6.8
<b>Accessories</b>					
<b>0980/60</b>	22 235 00	<b>Description</b>		<b>≈kg</b>	
		Reduction piece for post spigot Ø 60 mm			0.5
<b>09800/2/76-II</b>	22 236 00	Twin arm-bracket			14.0
<b>09800/3/76-II</b>	22 237 00	Triple arm-bracket			20.3
<b>09800EB</b>	22 238 00	Release bracket			0.1
<b>09800WB</b>	22 241 00	Wall mounting			6.3

## Contacts

### **TRILUX GmbH & Co. KG**

Heidestraße · D-59759 Arnsberg  
Postfach 19 60 · D-59753 Arnsberg  
Tel. +49 (0) 29 32.3 01-0  
Fax +49 (0) 29 32.3 01-3 75  
sales@trilux.com · www.trilux.com

### **Försäljning i Sverige via:**

### **PROLJUS AB**

Kyrkogatan 18  
570 03 VRIGSTAD  
SWEDEN  
Tel. +46 (0) 70 601 05 63  
info@proljus.se - www.proljus.se



