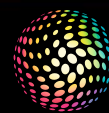




9301K... series



**TRILUX**  
NEW LIGHT.

**9301K... series**



**A discreet expansion of a large family.**

The small side-bracket mounted luminaire 9301K enhances with its classic and timeless form. The wide range of lamp options enables flexibility of use, and thanks to the latest LED technology, roads are bathed in new light.

**Timeless:** The well-known form and modern, functional technology make the compact luminaire a real classic.

**Safe light:** Homogeneous, glare-free lighting of the complete road means high levels of safety.

**Efficient:** Rapid, simple mounting and economic light sources achieve maximum efficiency.

**Long-life:** Maximum manufacturing quality and technology ensure permanent value.

**Robust:** By using high quality materials, the operating life even in tough surroundings is extremely long.

The gear tray with all required control gear and the optical system can be simply fixed in a defined position in the luminaire body. Electrical contact is via plug connection.



The computer-optimised optical system achieves the stipulated uniformity for illuminance and luminance.



The clear diffuser of high impact-resistant PMMA is fixed with a captive stainless steel screw. The safety wire enables simple relamping.



## 9301K... series

### Small side-bracket mounted luminaire



#### Decorative post-top luminaire in a curved form.

**Luminaire body** of corrosion-resistant aluminium, external colour deep black, similar to RAL 9005, white inner, coated, highly weather-resistant.

**Mounting** to post brackets or to wall.

**Diffuser** of high impact-resistant PMMA, clear. Safely fixed with a stainless steel screw.

**Optical system** of highly specular anodised aluminium, with asymmetrical wide luminous intensity distribution. LED versions have integrated LED module. Light colour neutral white ...nw..., colour temperature 4000 K.

...R... with extremely wide luminous intensity distribution for the lighting of paths, especially cycle paths.

**Gear tray** with plug connection, can be easily removed.

**Electrical connection** 3-pole socket of plug connection to 2,5 mm<sup>2</sup>, incl. strain relief system.

#### Electrical version

...E With electronic ballast.

...K With inductive ballast, parallel-compensated.

...ET With electronic transformer.

LR luminaires with power reduction.

**Windage area** for complete assembly see table of accessories.

**Bracket** of aluminium tube and die-cast components, colour deep black, similar to RAL 9005, powder-coated, highly weather resistant. Post spigot Ø 76 mm. Connection module with double configuration can be removed without tools. With 3-pole terminal to 2.5 mm<sup>2</sup> and cable strain relief system. Wired.

**Wall mounting** for 1 luminaire of aluminium tube and die-cast components, colour deep black, similar to RAL 9005, highly weather resistant, powder-coated. Wall plate with four fixing holes Ø 10 mm.

Further versions on request.



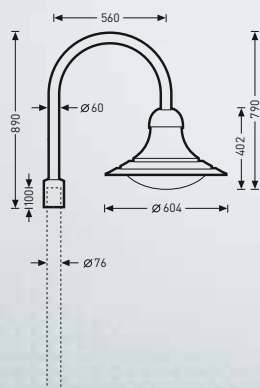
9301K... +09300K/2/76-II

Designation	TOC	Electrical version	Lamps/ luminous flux/ light colour	Connected load	Socket	≈kg
Side-bracket mounted luminaire, small						
9301K/LED 1800 nw...	60 202...	...E ...ET ...K	LED/1800 lm/nw	25 W	-	5.8
9301K/LED 3000 nw...	60 052...	...40	LED/3000 lm/nw	38 W	-	6.5
9301K/35HIT-CE...	60 057...	...04 ...02	1x HIT-CE 35		G12	5.6
9301K/45HIT-CE/OD...	60 056...	...04	1x HIT-CE 45		PGZ12	6.1
9301K/60HIT-CE/OD...	60 054...	...04	1x HIT-CE 60		PGZ12	6.1
9301K/70HIT-CE...	60 053...	...04 ...02	1x HIT-CE 70		G12	5.6
9301K/50-70HST...*	60 055...	...04 ...02	1x HST 50-70		E27	6.7
9301K/70HST...	60 055...	...04	1x HST 70		E27	6.0
9301K/TC-T26/32/42...	60 051...	...04	1x TC-T 26/32/42		GX24q-3/q-4	5.5
Side-bracket mounted luminaire, small, with wattage reduction (LR)						
9301K-LR/LED 3000 nw...	60 046...	...40	LED/3000 lm/nw	38 W	-	6.6
9301K-LR/50HST...	60 050...	...02	1x HST 50		E27	6.8
9301K-LR/70HST...	60 049...	...02	1x HST 70		E27	6.8
Side-bracket mounted luminaire, small, with cycle path optics (R)						
9301K-R/35HIT-CE...	60 048...	...04 ...02	1x HIT-CE 35		G12	5.9
9301K-R/50-70HST...	60 047...	...04 ...02	1x HST 50-70		E27	7.0
9301K-R/70HST...	60 047...	...04	1x HST 70		E27	6.3

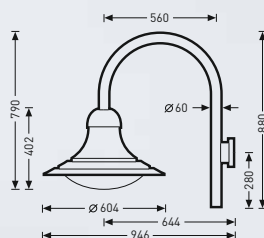
\* Electronic control gear, variable, preset to the lowest level.

Designation	TOC	Description	Windage area F <sub>w</sub> (m <sup>2</sup> )	≈kg
09300K/1/76	60 204 00	Single bracket	0.203	5.9
09300K/2/76-II	60 205 00	Twin bracket	0.426	9.2
09300K-WB	60 206 00	Wall mounting	0.202	6.2

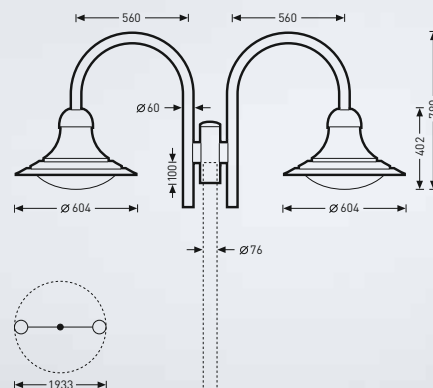
9301K... +09300K/1/76



9301K... +09300K-WB



9301K... +09300K/2/76-II



## Contacts

### **TRILUX GmbH & Co. KG**

Heidestraße · D-59759 Arnsberg  
Postfach 19 60 · D-59753 Arnsberg  
Tel. +49 (0) 29 32.3 01-0  
Fax +49 (0) 29 32.3 01-3 75  
sales@trilux.com · www.trilux.com

### **Försäljning i Sverige via:**

### **PROLJUS AB**

Kyrkogatan 18  
570 03 VRIGSTAD  
SWEDEN  
Tel. +46 (0) 70 601 05 63  
info@proljus.se - www.proljus.se



